

LED Circular Flat Panel Series

High Intensity LED Lighting

Version 1.3
Date: 12.06.13

LED Circular Flat Panel Series

Our range of LED Circular Flat Panel Lamps offer incredible levels of light output for a fraction of the power consumption of traditional systems. These are excellent replacements for PLC twin and single fittings.

Features

- Long life-spans of up to 50,000 hours.
- 180° beam Angle
- Available in a range between 3000K and 6000K Colour Temperature
- High light quality with a CRI > 80
- High power factor > 0.96
- No UV, IR, mercury or sodium
- Warranty 3 Year standard
- Can work with microwave sensors
- IP40
- Instant On
- Low temperature
- Emergency option available

Equivalent Power Guide

LED Model	PLC Equivalent
10 Watt	2x13w PLC
15 Watt	2x18w PLC
18 Watt	2x26w PLC





8 Watt LED Flat Circular Panel

Electrical Specifications

Input Voltage	AC 85-240V 50-60Hz
Power Consumption	8W
Power Factor	0.96
Operating Temperatures	-20°C - + 40°C

Light Output Specifications

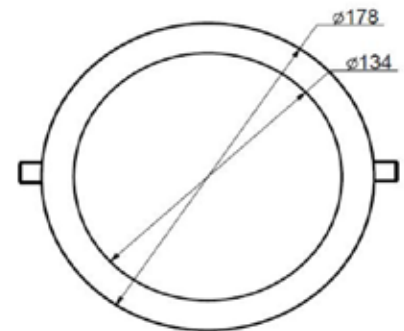
Light source	2835 LED
Brightness Degradation	< 1% per 1000 hours
Colour Rendering Index	>78
Light Purity	No UV or IR Radiation
Light Output	500 Lumens(3000K) 600 lumens(6000K)
Viewing Angle	180 Degrees
Dimmable	Yes (Optional)

Dimensions

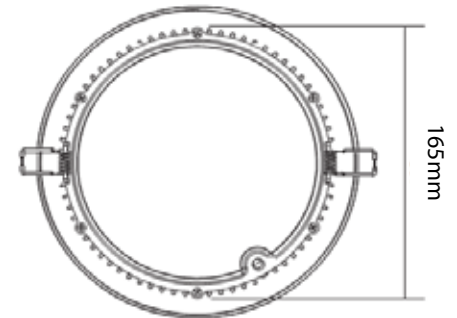
Size	145mm Diameter , 24mm Height
Application Hole Diameter	130mm
Weight	450g
IP Rating	IP40

Dimensions

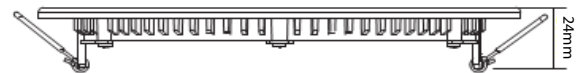
Top View



Rear View



Side View





15 Watt LED Flat Circular Panel

Electrical Specifications

Input Voltage	AC 85-240V 50-60Hz
Power Consumption	15W
Power Factor	0.96
Operating Temperatures	-20° C - + 40° C

Light Output Specifications

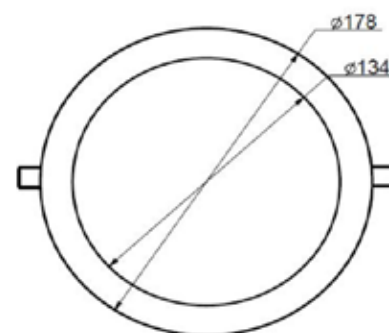
Light source	2835 LED
Brightness Degradation	< 1% per 1000 hours
Colour Rendering Index	>78
Light Purity	No UV or IR Radiation
Light Output	1200 Lumens(3000K) 1280 lumens(6000K)
Viewing Angle	180 Degrees
Dimmable	Yes (Optional)

Dimensions

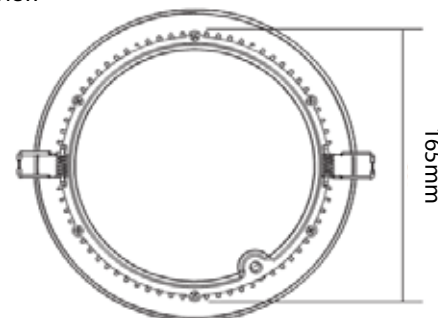
Size	180mm Diameter , 24mm Height
Application Hole Diameter	165mm
Weight	650g
IP Rating	IP40

Dimensions

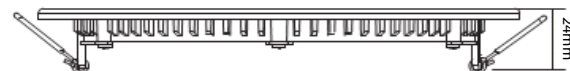
Top View



Rear View



Side View





18 Watt LED Flat Circular Panel

Electrical Specifications

Input Voltage	AC 85-240V 50-60Hz
Power Consumption	18W
Power Factor	0.96
Operating Temperatures	-20°C - + 40°C

Light Output Specifications

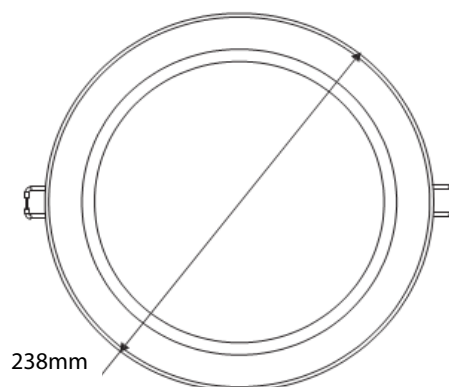
Light source	2835 LED
Brightness Degradation	< 1% per 1000 hours
Colour Rendering Index	>78
Light Purity	No UV or IR Radiation
Light Output	1400 Lumens (3000K) 1480 Lumens (6000K)
Viewing Angle	180 Degrees
Dimmable	Yes (Optional)

Dimensions

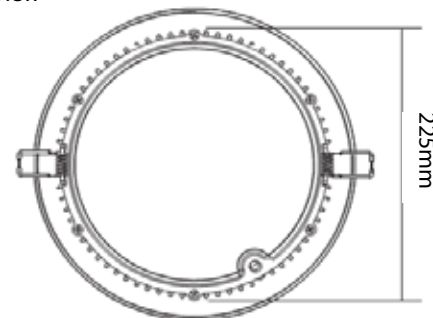
Size	240mm Diameter , 24mm Height
Application Hole Diameter	225mm
Weight	850g
IP Rating	IP40

Dimensions

Top View



Rear View



Side View



Please turn off the power before installing this product

For installation please note figure 1. This is how the panels will be received with the driver and panel not connected together. Connect the driver and panel using the attached plug sockets as per figure 2. Once the unit has been assembled as per figure 3 it is ready to be installed into place.



(fig1)



(fig2)



(fig3)

Connecting to Mains Power:

The LED Circular Flat Panel's driver comes with live and neutral stripped wires ready to be connected to the mains power. Connect the corresponding wires to live and neutral while the power is off.



(fig4)

With both connections made the power can be turned back for the light to work.